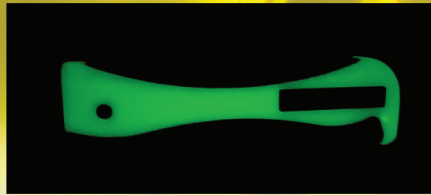
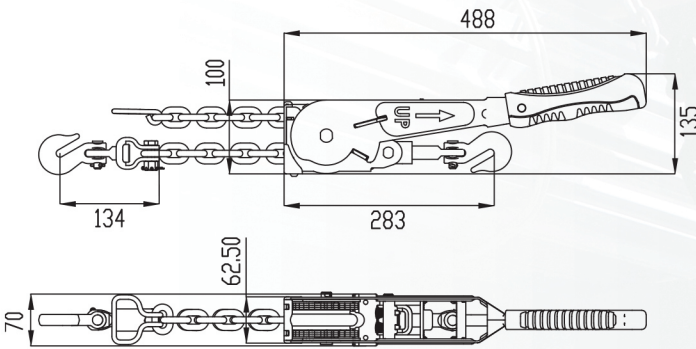


MAXIBINDER NEW HANDLE

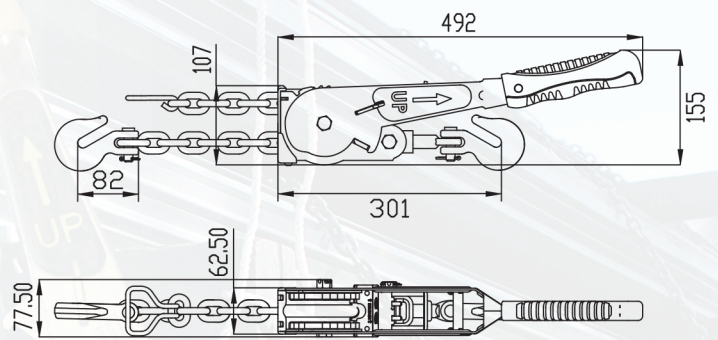
- Luminous handle to view at night
- Rechargeable from sunlight and artificial lights
- For G70 Transport Chain Application
- Conforms to: AS/NZS 4344



Maxibinder 8mm



Maxibinder 10mm



8mm MAXIBINDER SPECIFICATIONS

Product Code:	202705
Lashing Capacity:	3800kg
Unit Weight:	5.4kg
Tensioning Distance:	305mm
Destructive test:	7600kg
Chain:	G70 8mm
Grab Hook:	G70 8mm Clevis Type

10mm MAXIBINDER SPECIFICATIONS

Product Code:	202707
Lashing Capacity:	6000kg
Unit Weight:	6.4kg
Tensioning Distance:	305mm
Destructive test:	12000kg
Chain:	G100 9mm
Grab Hook:	G70 10mm Clevis Type

