

CONTAINER HOOK

SPECIFICATION FOR STRAIGHT, LEFT AND RIGHT



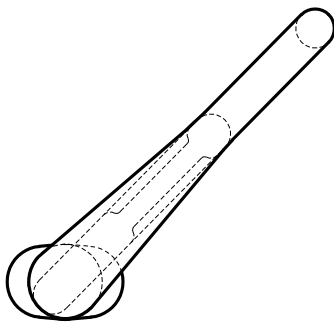
G80 Container Hook

Austlift eye type container hooks are a special purpose hook suitable for lifting containers by connection to twist lock pocket. The large diameter eye allows most hooks sizes to fit. There is left and right hand configurations and a straight configuration available.

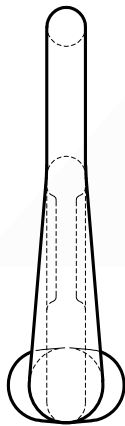
- Marked with chain size, batch number, grade, Austlift branded with manufacture quality mark.
- Batch tested, test certificates available upon request.

Features

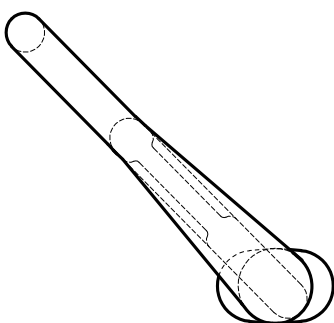
- Forged super alloy steel-quenched and tempered
- Suitable for web sling and G80 chain EN818-2
- Individually proof test at 2.5 times Working Load Limit
- Fatigue tested at 1.5 times Working Load Limit for 20,000 cycles
- Breakage test
- 100% magnaflux crack detection
- All load pins are 100% individually inspected and tested



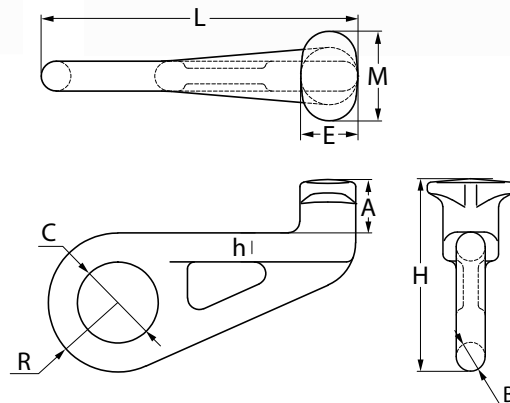
104412
 Left Hand, 45°



104410
 Straight, 90°



104413
 Right Hand, 45°



CODE	TYPE	CHAIN SIZE (mm)		WLL (T)	Wt. (kg)
		G80	G100		
104410	Straight	20	19	12.5	4
104412	LH 45°	20	19	12.5	4
104413	RH 45°	20	19	12.5	4

DIMENSIONS(mm)								
A	B	C	E	R	M	L	H	h
46	25	70	48	60	75	265	166	25

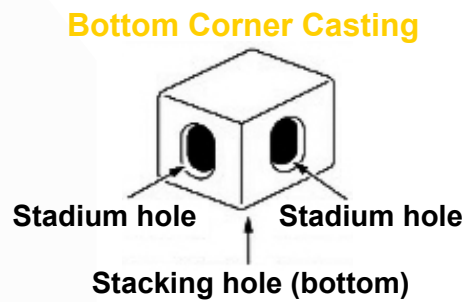
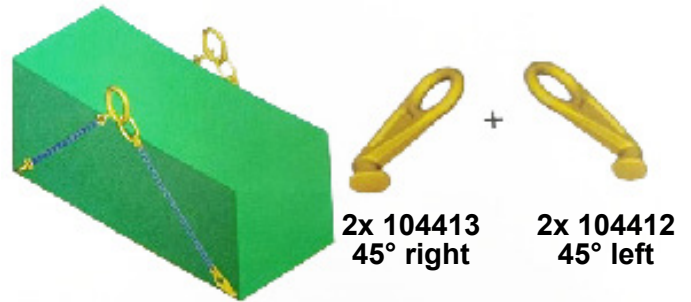
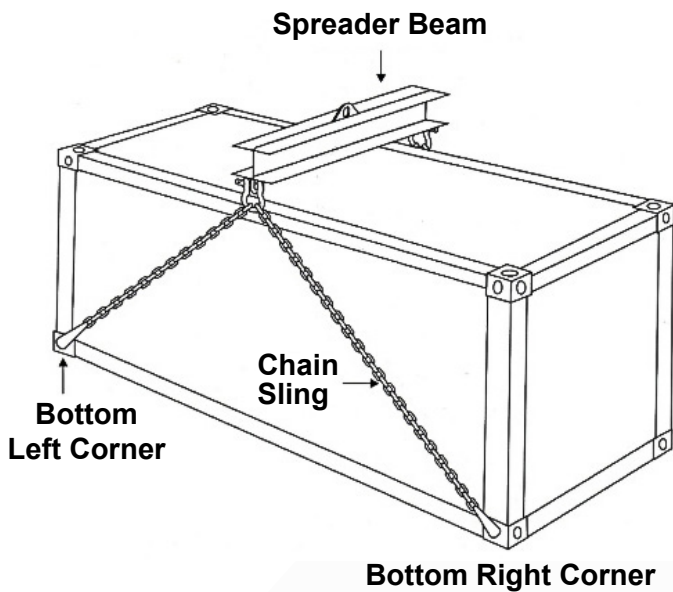
AUSTLIFT Lifting your business to a higher level.

CONTAINER HOOK

SPECIFICATION FOR STAIGHT, LEFT AND RIGHT

G80 Container Hook Install and Usage Guide

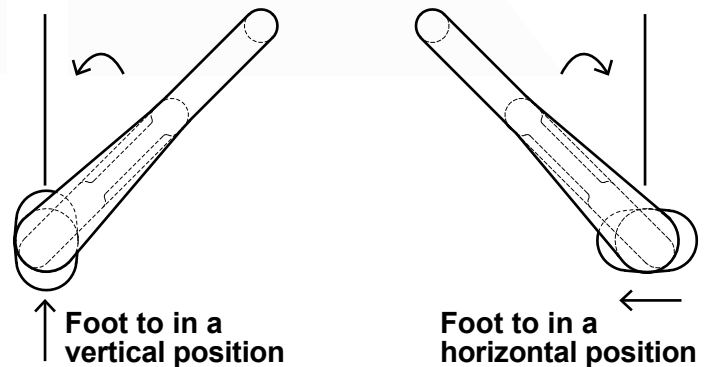
Austlift eye type Left hand and Right hand container hooks must always be used in conjunction with a spreader beam and always engaged at the bottom corner castings at four points 2 x Left and 2 x Right, they are not suitable for top corner castings.



How to Correctly Install the Left and Right Hand Container Hooks

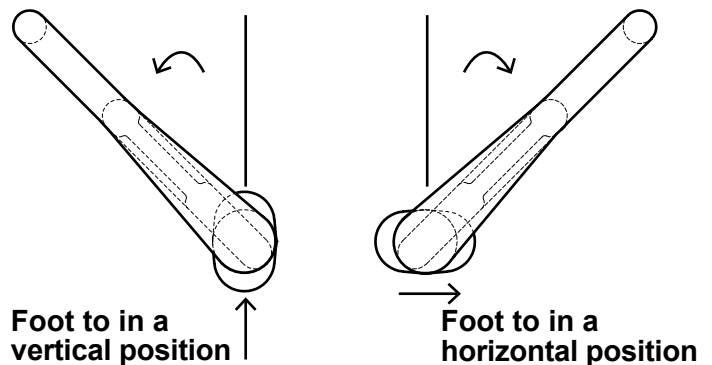
RIGHT HAND HOOK (104413)

Right hand hook is to be engaged in the bottom right corner of the container casting and place into the stadium hole, with the lifting lug at 45° to the right ensuring that the foot is in a vertical position insert it into the stadium hole. Once in position rotate the lifting lug to the left until the is facing 45° to the left until the foot is in the horizontal position inside the casting. This will now have the container hook in the correct position for lifting.



LEFT HAND HOOK (104412)

Left hand hook is to be engaged in the bottom left corner of the container casting and place into the stadium hole, with the lifting lug at 45° to the left ensuring that the foot is in a vertical position insert it into the stadium hole. Once in position rotate the lifting lug to the right until the is facing 45° to the right until the foot is in the horizontal position inside the casting. This will now have the container hook in the correct position for lifting.



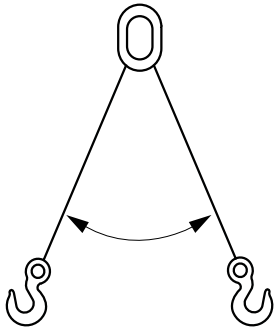
AUSTLIFT Lifting your business to a higher level.

CONTAINER HOOK

SPECIFICATION FOR STAIGHT, LEFT AND RIGHT

G80 Container Hook Install and Usage Guide

Allowed Angle Of Use:



Included angles allowed are:

110° Container weight 30T

90° Container weight 50T

60° Container weight 40T

Any greater than 110° may cause the container hook to disengage and cause injury or damage to the containers lift point.

ISO 1496.1-1990 extract for worldwide container Types

Lifting forces shall be applied at:

- 30° to the horizontal for IAA, 1A and IAX containers;
- 37° to the horizontal for 1 SS, 1 Band 1 BX containers;
- 45° to the horizontal for 1 eCt 1 C and 1 CX containers;
- 60° to the horizontal for 1 D and IOX containers.

Container Hook Inspection Guide:

Before and after each use, inspect the container hook for the following to ensure safe usage:

- Deformation or bending of the lifting lug eye.
- Cracks to the casting near the foot or lifting eye.
- Damage such as broken casting to the container hook foot.
- Wear to the lifting eye 10% is the allowed tolerance from the original eye thickness.

Regular inspection before and after will ensure a long and safe use of this product.

NSW Head Office

🏠 43 Frank Street
Wetherill Park, NSW 2164
☎ 02 9757 2277

WA Office

🏠 42 Mulgal Road
Malaga, WA 6090
☎ 08 9248 6674

QLD Office

🏠 99 Radius Drive
Larapinta, QLD 4110
☎ 07 3272 0777

VIC Office

🏠 475 Dohertys Road
Truganina, VIC 3029
☎ 03 9314 5525